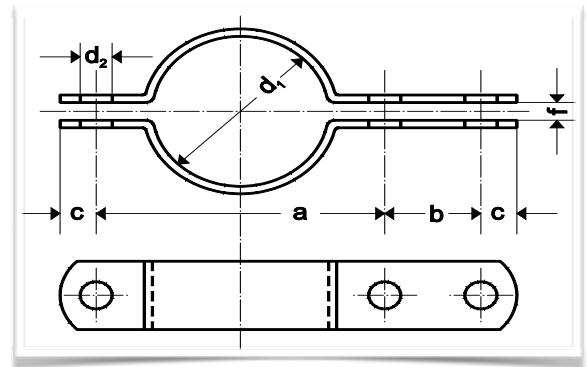


Rohrschellen nach DIN 3567

Form B

Standardausführung: kalt verformt nach DIN 6935
 Werkstoffe: 1.0038 / S235JRG (ST) - 14301 (A2) - 14571 (A4) - 14462 (DU)
 Oberflächen: roh/blank (ST) - galvanisch verzinkt (gv) - feuerverzinkt (fv)
 Grundiert, glasperlgestrahlt, andere Abmessungen, Werkstoffe und Flachstähle auf Anfrage



| Artikel-Nr. | d1 | Nennweite | | a | b | c | d2 | f | Flachstahl | Zubehör: Schrauben Muttern | Stück kg | VE |
|-------------|-----|-----------|--------|-----|------|----|------|----|------------|----------------------------------|-------------|----|
| | | DN | Zoll | | | | | | | | | |
| 3567B-20- | 20 | 15 | 1/2" | 57 | 46 | 15 | 11,5 | 7 | 30 x 5 | M10 x 30 + Muttern | 0,31 | 10 |
| 3567B-22- | 22 | | | 59 | | | | | | | 0,32 | 10 |
| 3567B-25- | 25 | 20 | 3/4" | 62 | | | | | | | 0,33 | 10 |
| 3567B-27- | 27 | | | 66 | | | | | | | 0,34 | 10 |
| 3567B-30- | 30 | 25 | 1" | 68 | | | | | | | 0,35 | 10 |
| 3567B-34- | 34 | | | 72 | | | | | | | 0,36 | 10 |
| 3567B-38- | 38 | 32 | 1 1/4" | 76 | | | | | | | 0,38 | 10 |
| 3567B-43 | 43 | | | 82 | | | | | | | 0,40 | 10 |
| 3567B-45- | 45 | 40 | 1 1/2" | 84 | | | | | | | 0,41 | 10 |
| 3567B-49- | 49 | | | 88 | | | | | | | 0,42 | 10 |
| 3567B-57- | 57 | 50 | 2" | 104 | 0,79 | 10 | | | | | | |
| 3567B-61- | 61 | | | 108 | 0,81 | 1 | | | | | | |
| 3567B-77- | 77 | 65 | 2 1/2" | 122 | 54 | 18 | 14 | 9 | 40 x 6 | M12 x 35 + Muttern | 0,89 | 1 |
| 3567B-89- | 89 | 80 | 3" | 136 | 0,96 | 1 | | | | | | |
| 3567B-108- | 108 | 100 | 4" | 172 | 2,06 | 1 | | | | | | |
| 3567B-115- | 115 | | | 178 | 2,10 | 1 | | | | | | |
| 3567B-133- | 133 | 125 | 5" | 196 | 2,29 | 1 | | | | | | |
| 3567B-140- | 140 | | | 204 | 2,37 | 1 | | | | | | |
| 3567B-159- | 159 | 150 | 6" | 222 | 70 | 24 | 18 | 11 | 50 x 8 | M16 x 45 + Muttern | 2,53 | 1 |
| 3567B-169- | 169 | | | 232 | | | | | | | 2,61 | 1 |
| 3567B-194- | 194 | 175 | 7" | 258 | 2,88 | 1 | | | | | | |
| 3567B-216- | 216 | 200 | 8" | 280 | 3,10 | 1 | | | | | | |
| 3567B-220- | 220 | | | 284 | 3,11 | 1 | | | | | | |

| Artikel-Nr. | d1 | Nennweite | | a | b | c | d2 | f | Flach- stahl | Zubehör: Schrauben Muttern | Stück kg | VE | | | | | | | | | | | | | | | | | | | | | | | | | | | | | | |
|-------------|------|-----------|------|------|-----|----|----|----|-----------------|----------------------------------|-------------|----|----|----|---------|-----------------------|------|----|----|----|---------|-----------------------|------|----|----|----|---------|-----------------------|-------|----|----|----|---------|-----------------------|-------|----|----|----|---------|-----------------------|-------|---|
| | | DN | Zoll | | | | | | | | | | | | | | | | | | | | | | | | | | | | | | | | | | | | | | | |
| 3567B-267- | 267 | 250 | 10" | 342 | 104 | 36 | 27 | 18 | 60 x 8 | M20 x 50 + Muttern | 4,54 | 1 | | | | | | | | | | | | | | | | | | | | | | | | | | | | | | |
| 3567B-273- | 273 | | | 348 | | | | | | | 4,63 | 1 | | | | | | | | | | | | | | | | | | | | | | | | | | | | | | |
| 3567B-318- | 318 | 300 | 12" | 392 | | | | | | | 86 | 30 | 23 | 14 | 60 x 8 | M20 x 50 + Muttern | 5,12 | 1 | | | | | | | | | | | | | | | | | | | | | | | | |
| 3567B-324- | 324 | | | 398 | | | | | | | 5,20 | 1 | | | | | | | | | | | | | | | | | | | | | | | | | | | | | | |
| 3567B-356- | 356 | 350 | 14" | 432 | | | | | | | 104 | 36 | 27 | 18 | 70 x 10 | M24 x 60 + Muttern | 5,61 | 1 | | | | | | | | | | | | | | | | | | | | | | | | |
| 3567B-368- | 368 | | | 444 | | | | | | | | | | | | | 5,74 | 1 | | | | | | | | | | | | | | | | | | | | | | | | |
| 3567B-407- | 407 | 400 | 16" | 498 | | | | | | | | | | | | | 104 | 36 | 27 | 18 | 70 x 10 | M24 x 60 + Muttern | 9,50 | 1 | | | | | | | | | | | | | | | | | | |
| 3567B-419- | 419 | | | 510 | | | | | | | | | | | | | | | | | | | 9,67 | 1 | | | | | | | | | | | | | | | | | | |
| 3567B-458- | 458 | 450 | 18" | 550 | | | | | | | | | | | | | | | | | | | 104 | 36 | 27 | 18 | 70 x 10 | M24 x 60 + Muttern | 10,38 | 1 | | | | | | | | | | | | |
| 3567B-508- | 508 | 500 | 20" | 600 | | | | | | | | | | | | | | | | | | | | | | | | | 11,26 | 1 | | | | | | | | | | | | |
| 3567B-521- | 521 | | | 614 | | | | | | | | | | | | | | | | | | | | | | | | | 11,48 | 1 | | | | | | | | | | | | |
| 3567B-610- | 610 | 600 | 24" | 717 | | | | | | | | | | | | | | | | | | | | | | | | | 104 | 36 | 27 | 18 | 70 x 10 | M24 x 60 + Muttern | 13,24 | 1 | | | | | | |
| 3567B-712- | 712 | 700 | 28" | 812 | | | | | | | | | | | | | | | | | | | | | | | | | | | | | | | 14,89 | 1 | | | | | | |
| 3567B-813- | 813 | 800 | 32" | 913 | | | | | | | | | | | | | | | | | | | | | | | | | | | | | | | 104 | 36 | 27 | 18 | 70 x 10 | M24 x 60 + Muttern | 16,54 | 1 |
| 3567B-915- | 915 | 900 | 36" | 1016 | | | | | | | | | | | | | | | | | | | | | | | | | | | | | | | | | | | | | 18,30 | 1 |
| 3567B-1016- | 1016 | 1000 | 40" | 1119 | | | | | | | | | | | | | | | | | | | | | | | | | | | | | | | | | | | | | 19,95 | 1 |

Verpackungseinheit (VE) = Mindestabnahmemenge

Bestellbeispiel:

Rohrschelle DIN 3567 Form B, Ø220, feuerverzinkt =
[Artikel-Nr. 3567B-220-fv](#)

Hinweis:

1 Stück Rohrschelle DIN 3567 = 1 Paar = 2 Schellenhälften
 Schrauben + Muttern gesondert bestellen